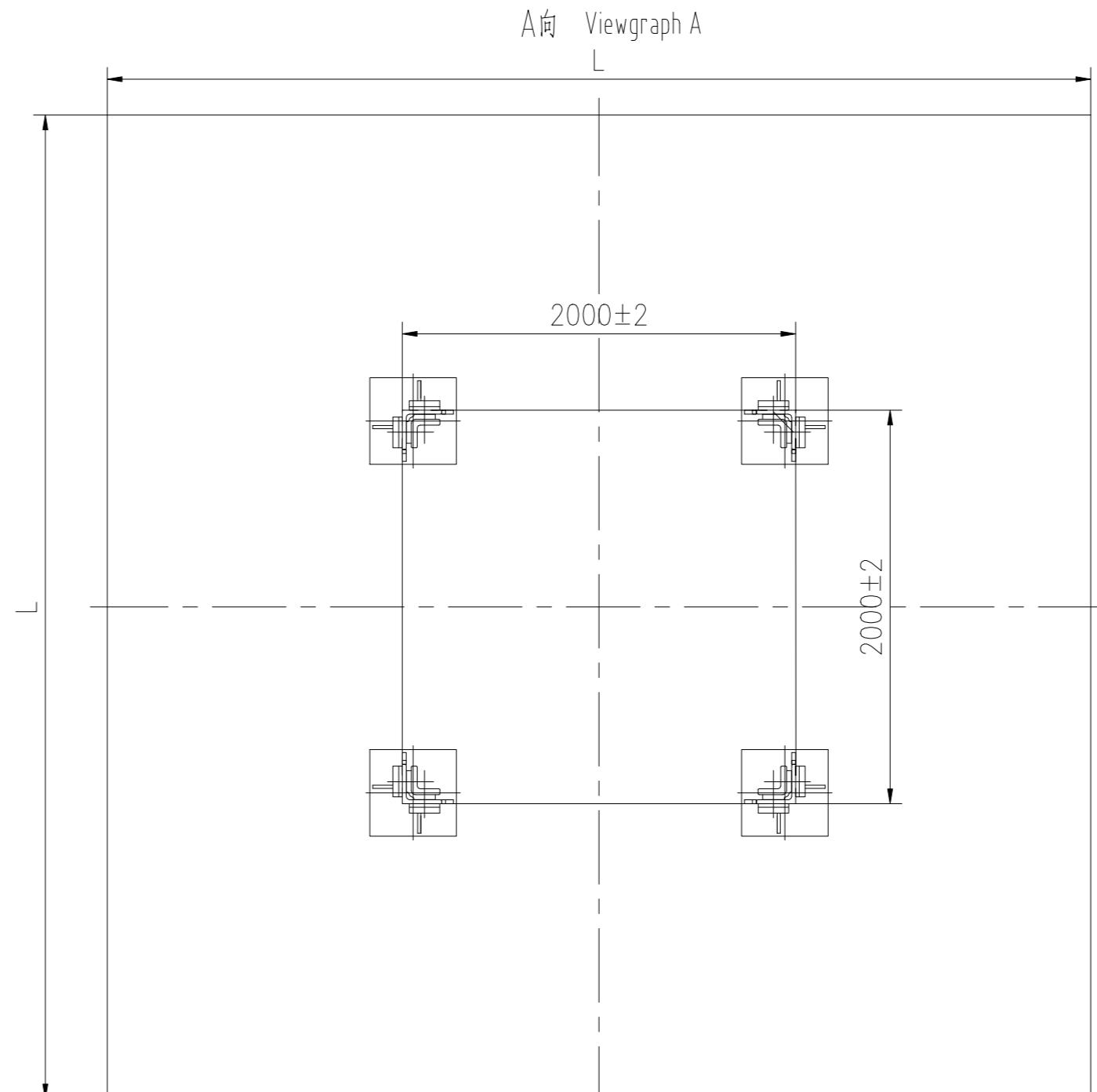
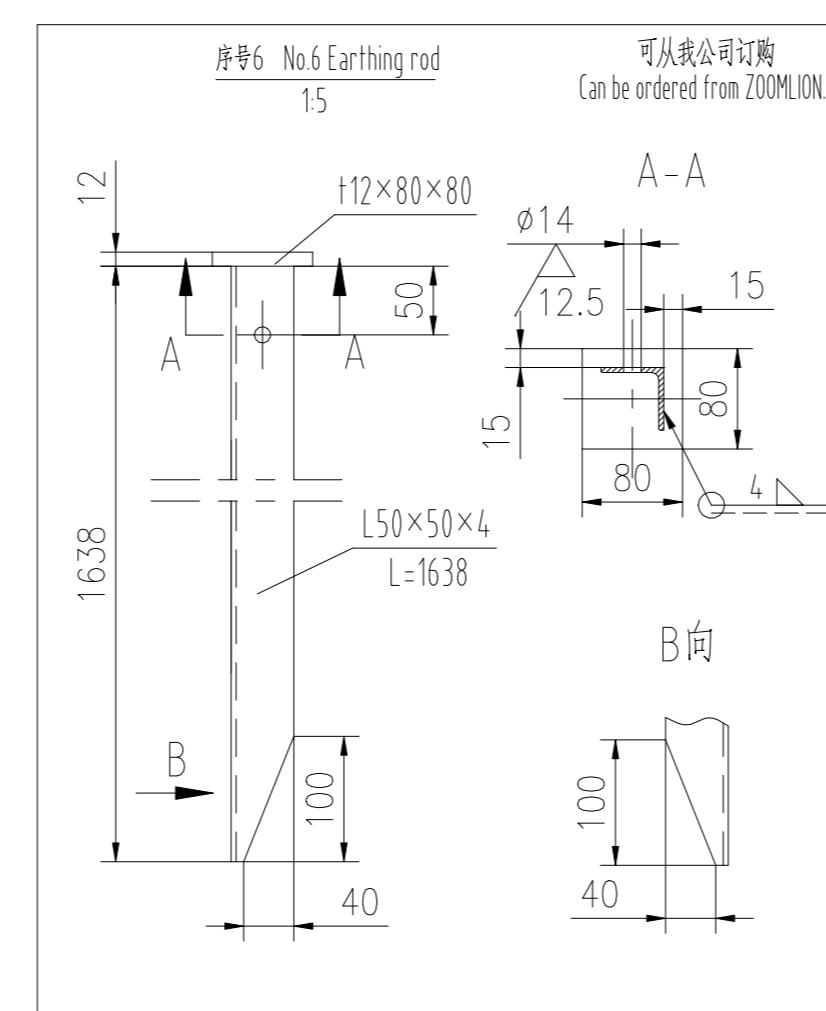
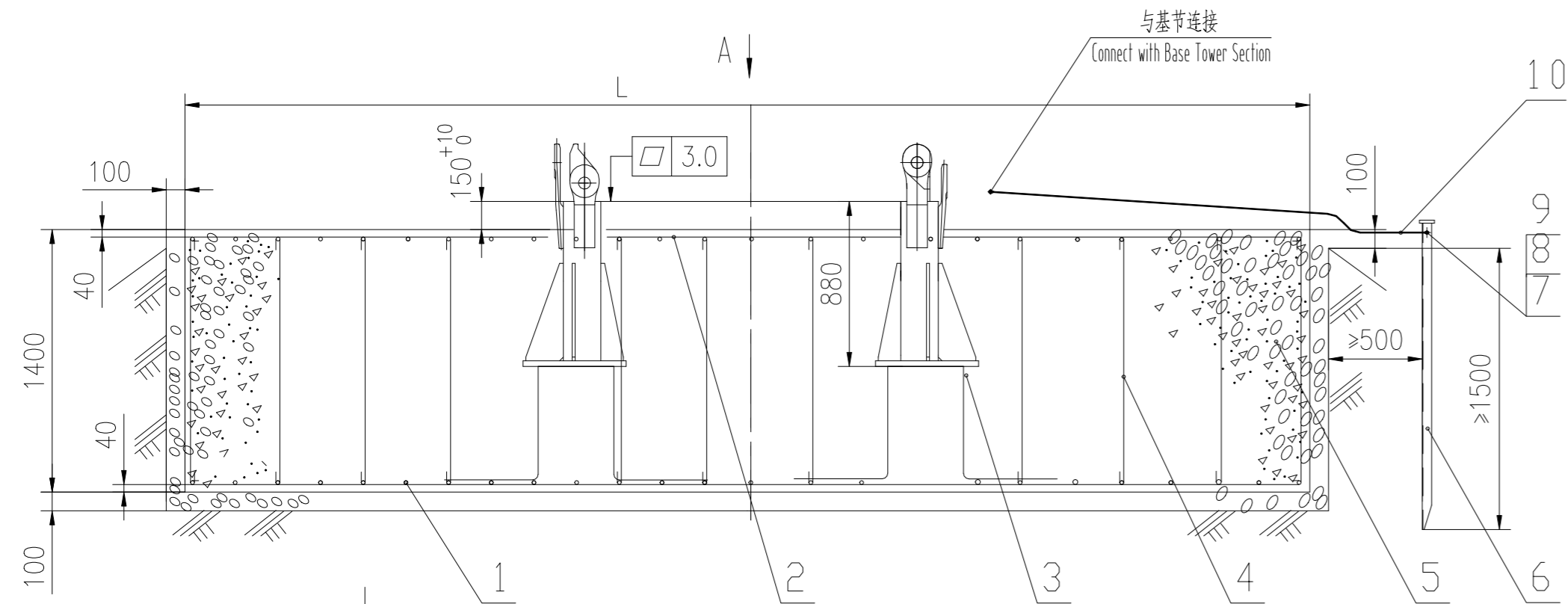


000270799AT030000

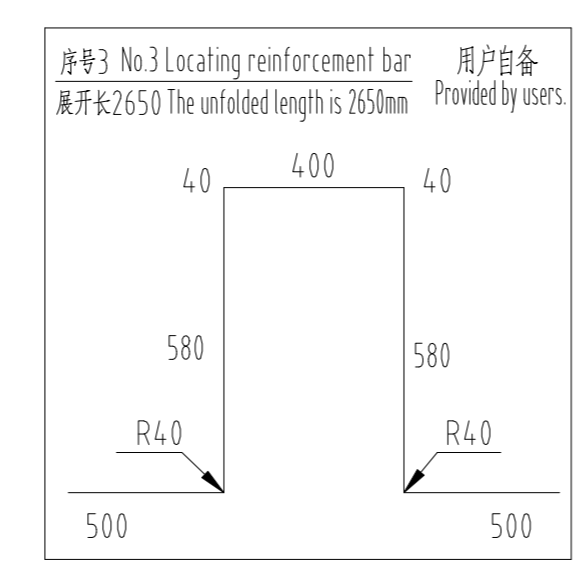
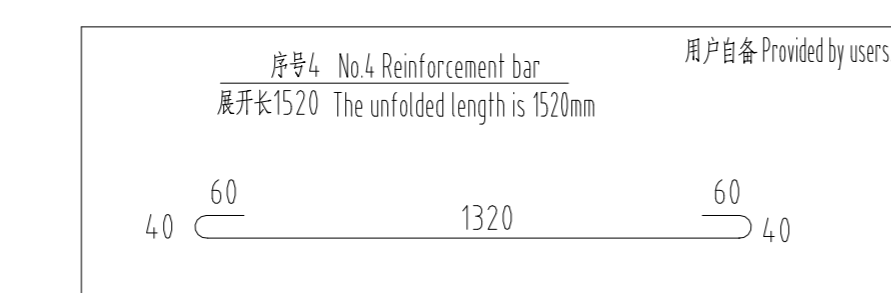
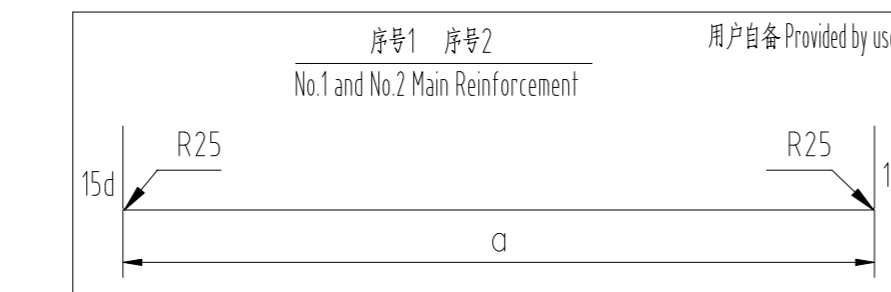
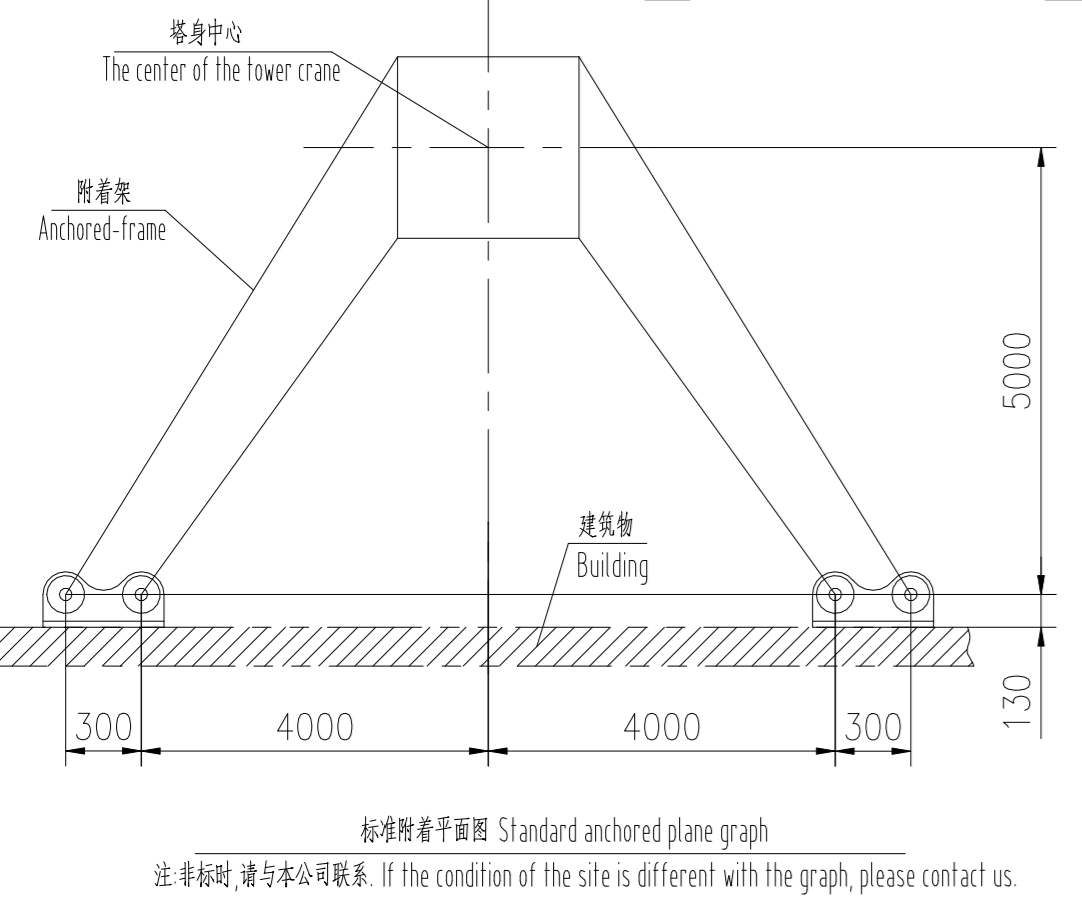


Specification 技术要求

- 基础开挖至老土(基础承载力必须达到表中要求)找平,回填100mm左右卵石夯实,周边配模或砌砖后再行浇筑混凝土,基础周围地面低于混凝土表面100mm以上以利排水,周边若配模,拆模以后回填卵石。
Excavate a trench to hard formation until the ground bearing pressure accords with the value in the following table, and make the bottom level. And then backfill and tamp 100mm gravel stratum. After making formwork or laying bricks for the side walls, pour concrete into pre-made reinforced rod net. The concrete block surface should be 100mm higher than neighboring ground for the drainage of storm water, then removal the formwork and backfill the neighboring ground with gravels.
- 主筋保护层4.0mm,固定支腿先用定位筋固定,使四个支腿中心线与水平面垂直度误差控制在1.5/1000以内,固定支腿周围(特别是支腿周围)砂填充率>95%。
The depth of the concrete cover of the main reinforcement is 4.0mm. Fix the embedded anchors on the locating reinforcement bar and make sure that the verticality of the embedded anchors centerlines and horizontal plane is less than 1.5/1000. Concrete filling rate around the embedded anchors must be over 95%.
- 混凝土标号C35,养护期大于15天。
The concrete strength grade shall be no less than C35. The curing duration of concrete is more than 15 days.
- 钢筋与固定支腿干涉时允许钢筋避让,但不允许切断钢筋。
If it is difficult to pass through the anchor, the main reinforcing rod can be turned aside, but must not be reduced or cut off.
- 件6插入地面以下部分长度必须>15米,不要与建筑物基础的金属加固件连接。
NO.6 which must driven 15m into the ground. Not connected with the steel reinforcement of the building foundations.
- 件10为横截面积不小于16mm²的绝缘铜电缆。
The NO.10 is insulated copper cable with at least 16mm².
- 该基础用于独立高度60m的T7020-10E塔机,塔机基础荷载见说明书,基础的地基承载力、尺寸L及钢筋布置参见下表的要求。
The foundation is fit for T7020-10E with the maximum free-standing height of 60m and the load on the foundation is shown in the manual, the foundation load-bearing capacity, the dimension L of the foundation and the layout of the reinforcement are shown as the following table:

注意 Note:
70m、65m、60和55m臂长支腿固定式塔机独立安装高度60m,风速4.0m/s(10级风时,必须把爬升架降低到最低位置或降低一节标准节。)
Climbing frame of tower crane with 70m,65m,60m or 55m jib and maximum free-standing height of 60m must be lower to the lowest position or the free standing height must be lowered by a tower section when the wind speed arrive 4.0m/s.

L	主筋 A Main reinforcement A	主筋 B Main reinforcement B	a	地耐力 MPa Earth bearing pressure	混凝土 m³ Concrete volume	重量 t Concrete weight	4号件数量 Quantity of No.4
7100	纵横各4-∅25 Lengthwise and crosswise	纵横各4-∅25 Lengthwise and crosswise	7020	0.20	70.6	169	441
7500	纵横各4-∅25 Lengthwise and crosswise	纵横各4-∅25 Lengthwise and crosswise	7420	0.15	78.75	189	441
8000	纵横各4-∅25 Lengthwise and crosswise	纵横各4-∅25 Lengthwise and crosswise	7920	0.13	89.6	215	441



序号 No.	产品编码 Product Code	代号 Code	名称 Designation	规格 Dimension	数量 Qty	材质 Material	重量 Weight	备注 Remark
10	000209945A0000021		接地线 Earthing cable		1		1.06	无图 No drawing
9	104.0200096	GB/T6170-2000	螺母 Nut	M12-8	1	Zn.D	0.01	
8	104.0300054	GB/T93-1987	垫圈 Spring washer	12	1	65Mn	0	
7	104.0000101	GB/T5783-2000	螺栓 Bolt	M12x4.0-8.8	1	Zn.D	0.04	
6	000200115B0000200		接地杆 Earthing rods		1	焊件	5.6	无图 No drawing
5	000270799AT030005		混凝土 Concrete		1	C35		无图 No drawing
4	000270799AT030004		架立筋 Reinforcement bar	∅12-1520	441	HPB300	1.35	595.35
3	000270799AT030003		定位筋 Locating reinforcement bar	∅25-2650	8	HRB4.00	10.2	81.6

B版

序号 No.	产品编码 Product Code	代号 Code	名称 Designation	规格 Dimension	数量 Qty	材质 Material	重量 Weight	备注 Remark
2	000270799AT030002		主筋B Main reinforcement B	∅25	82	HRB400	29.5	24.19
1	000270799AT030001		主筋A Main reinforcement A	∅25	82	HRB400	29.5	24.19
钢筋混凝土 Reinforced Concrete							中联重科股份有限公司	
预埋支腿基础 Foundation with embedded anchors							T7020-10E-ZGJ	
共 1 页							第 1 页	
000270799AT030000								

借通用件登记
描图
校描
旧底图总号
签字
日期

标准附着平面图 Standard anchored plane graph
注:非标时,请与本公司联系。If the condition of the site is different with the graph, please contact us.